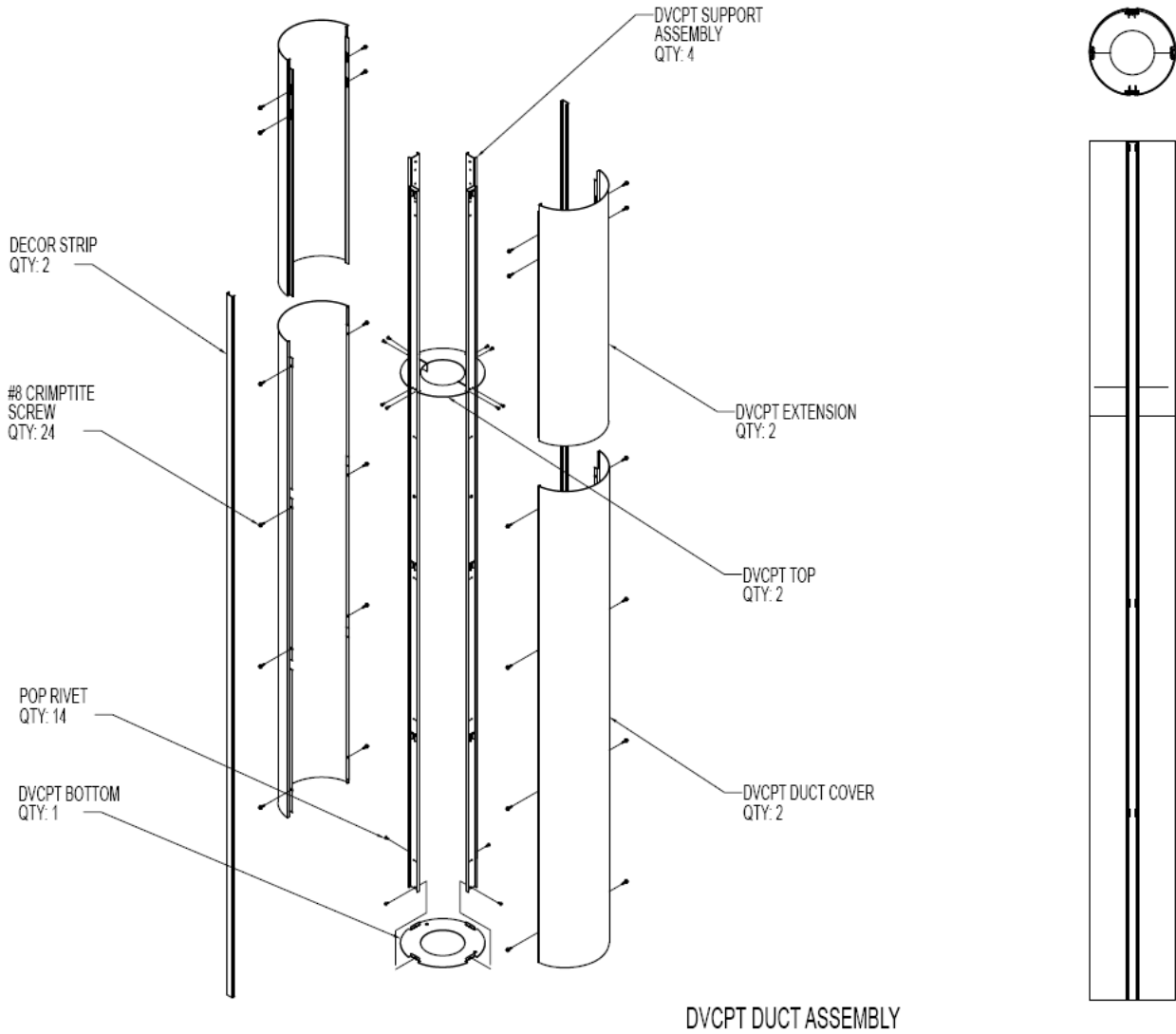


Duct Cover (DC) Installation Instructions



DVCP Duct Cover – Parts List



Duct Cover (DC) Installation Instructions



DVCP Duct Cover – Installation

Figure: 1 Mount the duct cover bottom on the top of the unit.



FIGURE 1

DVCP Duct Cover – Installation

Figure: 2 Mount the duct cover support assembly on the top of the unit. Align the holes on the flange of the duct cover bottom and the duct cover support assembly and cut the support according to the ceiling height keeping 0-2" distance between the ceiling and the top of the duct cover support assembly. Align the duct cover top with the three holes on the support assembly and rivet the duct cover top with the duct cover support assembly in 2 places.

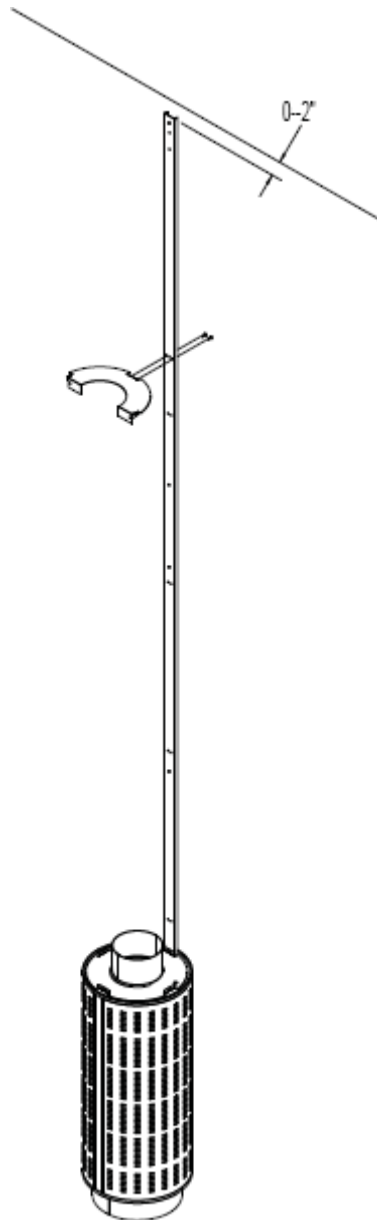


FIGURE 2

DVCP Duct Cover – Installation

Figure: 3 Install the duct onto the unit. Install the second duct cover top to the duct cover support assembly enclosing the duct. Assemble both the duct cover top together using pop rivets.

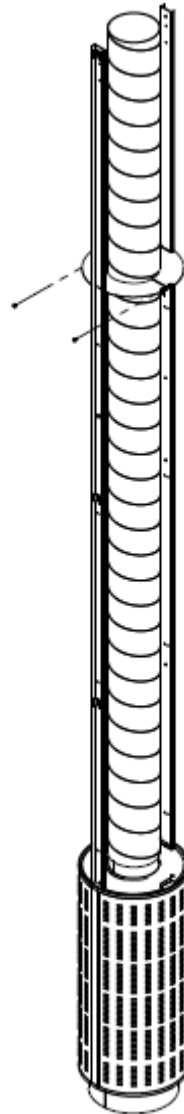


FIGURE3

DVCP Duct Cover – Installation

Figure: 4 Assemble all four duct cover support assemblies to the duct cover bottom using pop rivets.

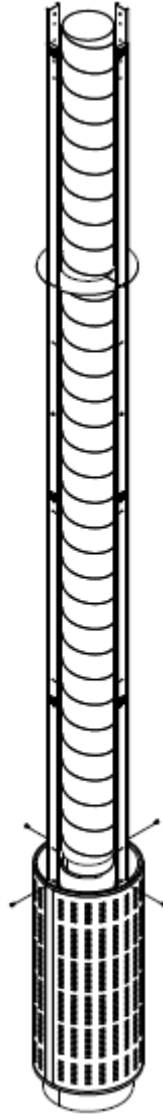


FIGURE 4

DVCP Duct Cover – Installation

Figure: 5 Align the top edge of the duct cover support assembly with the top face of the extension and install the extension assembly onto the duct cover support assembly using screws. (Décor strip of the unit should align with the décor strip of the duct cover assembly)

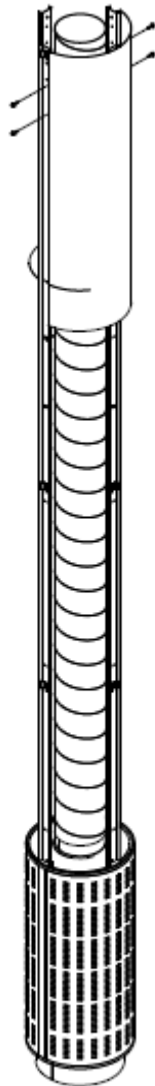


FIGURE 5

DVCP Duct Cover – Installation

Figure: 6 Place the duct cover on the top of the unit and assemble it to the duct cover support assembly using screws. Snap the décor strips into the springs of the duct cover support assemblies.

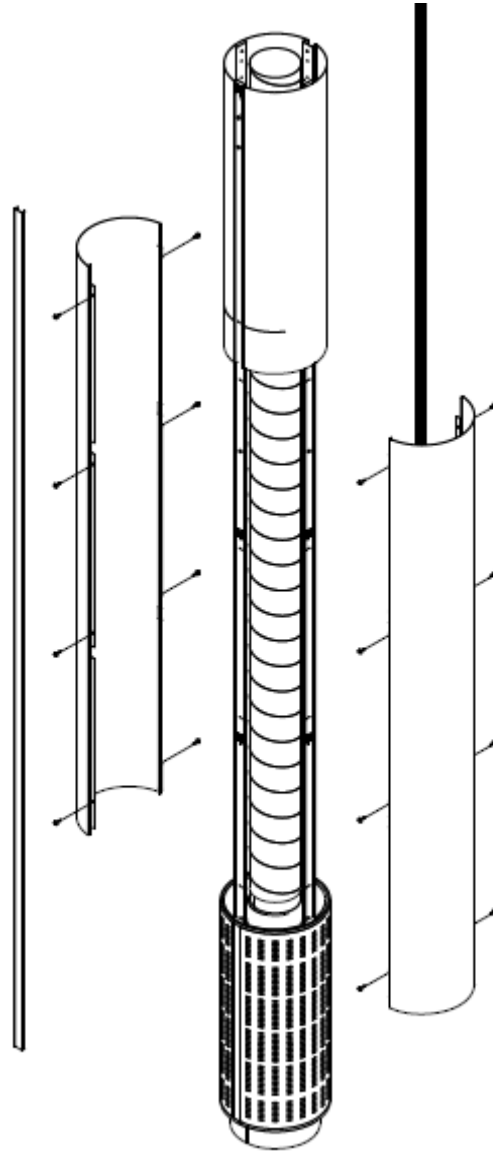
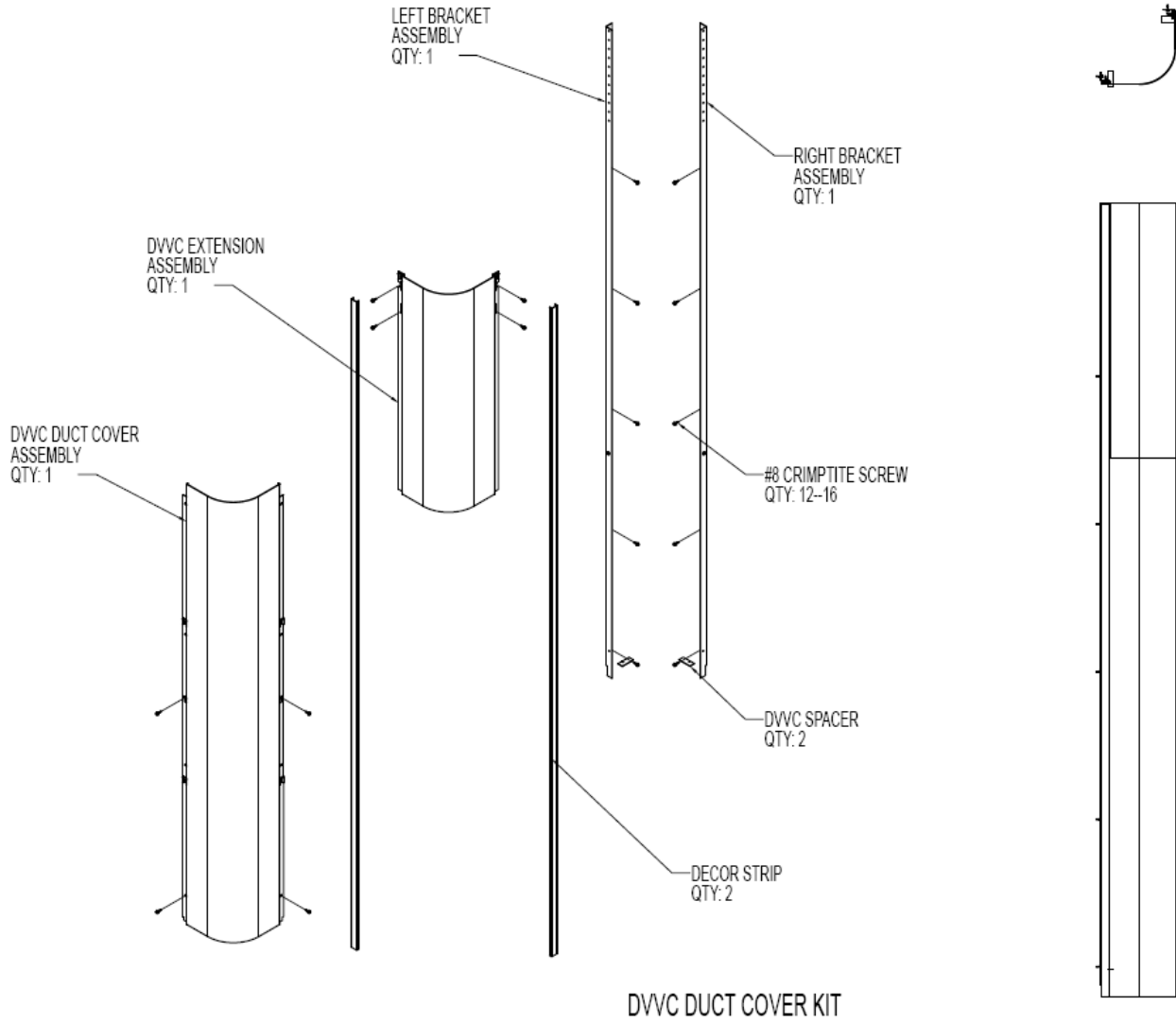


FIGURE 6

Duct Cover (DC) Installation Instructions



DVVC Duct Cover – Parts List



DVVC Duct Cover – Installation

Figure: 1 Cut the brackets according to the ceiling height keeping 0-2” distance between the ceiling and top of the bracket.

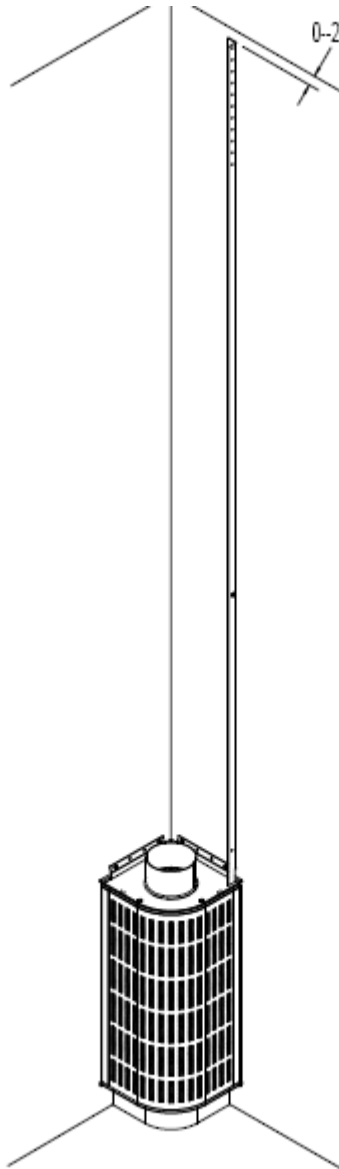


FIGURE 1

DVVC Duct Cover – Installation

Figure: 2 Using spacers align the brackets to the end of the unit keeping 0.67” distance from the end face of the unit. Screw the left and right brackets to the wall.

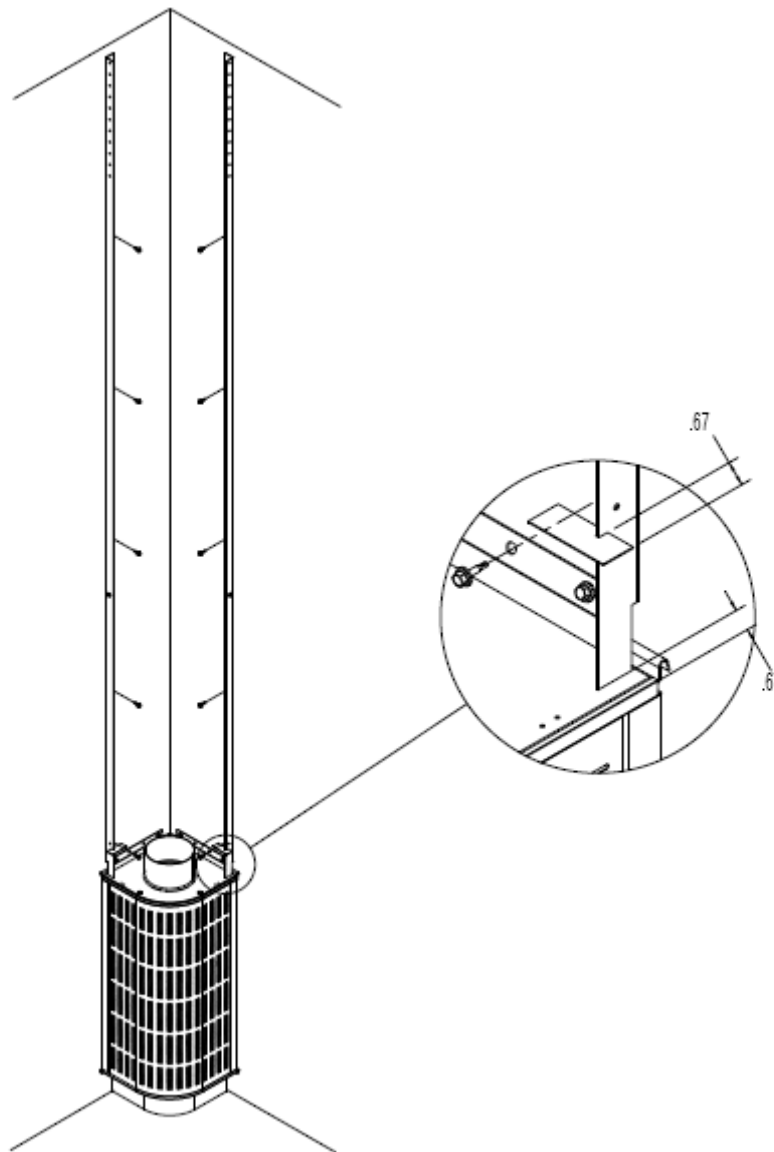


FIGURE 2

DVVC Duct Cover – Installation

Figure: 3 Install the duct onto the unit. Align the top edge of the brackets with the top face of the extension and install the extension assembly onto the brackets using screws.

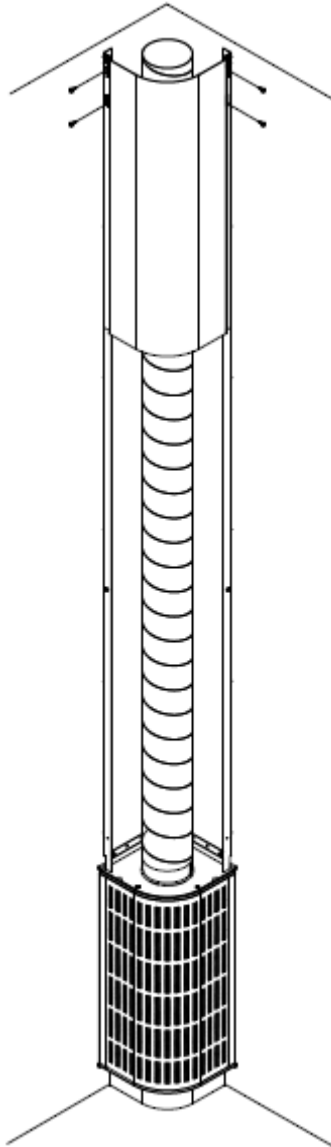


FIGURE 3

DVVC Duct Cover – Installation

Figure: 4 Place the duct cover assembly on the top of the unit and assemble it to the brackets using screws. Snap the décor strips into the springs of the extension and duct cover assemblies.

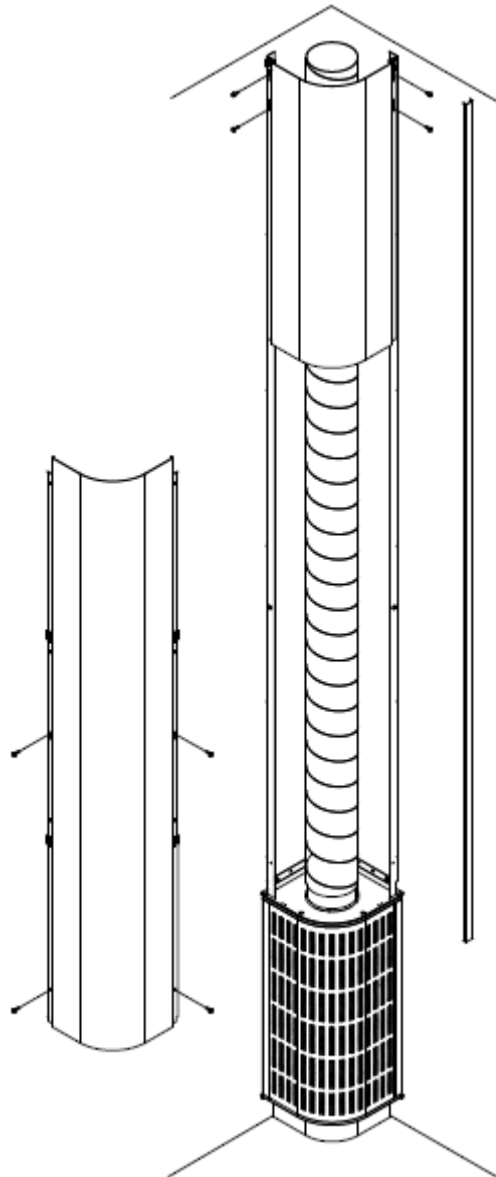
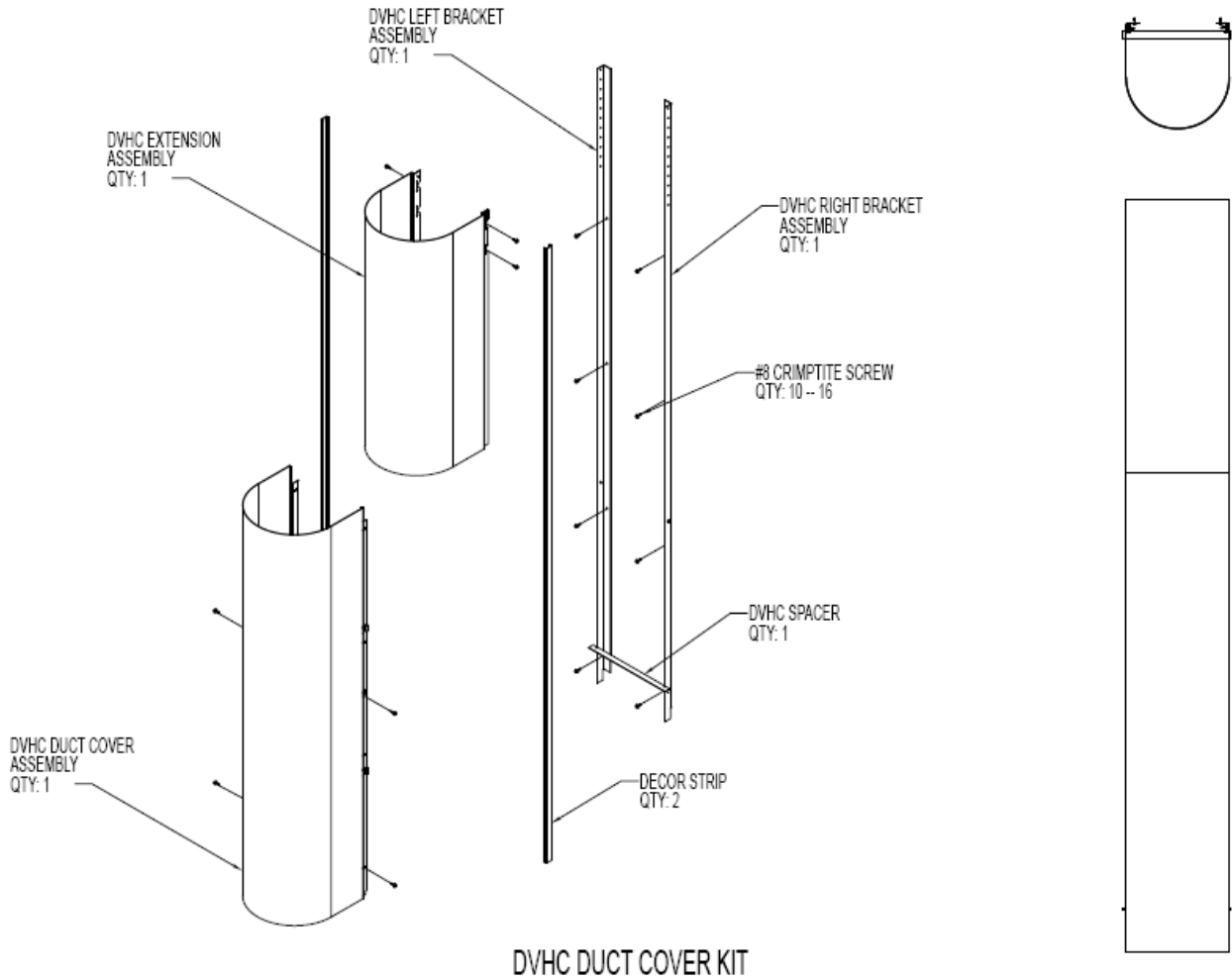


FIGURE 4

Duct Cover (DC) Installation Instructions



DVHC Duct Cover – Parts List

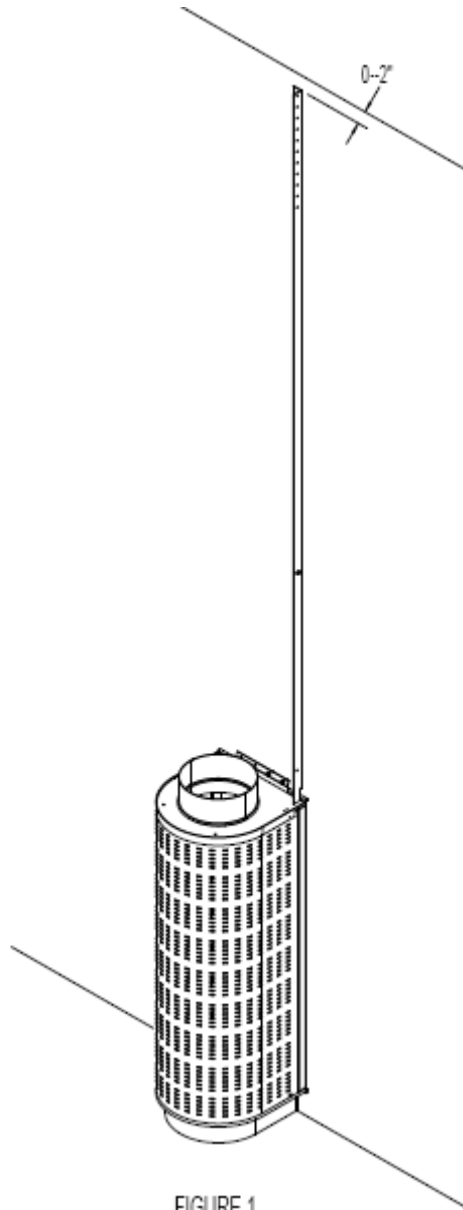


Duct Cover (DC) Installation Instructions



DVHC Duct Cover – Installation

Figure: 1 Cut the brackets according to the ceiling height keeping 0-2” distance between the ceiling and top of the bracket.



Duct Cover (DC) Installation Instructions



DVHC Duct Cover – Installation

Figure: 2 Using spacers align the brackets to the end of the unit keeping 0.67” distance from the end face of the unit. Screw the left and right brackets to the wall.

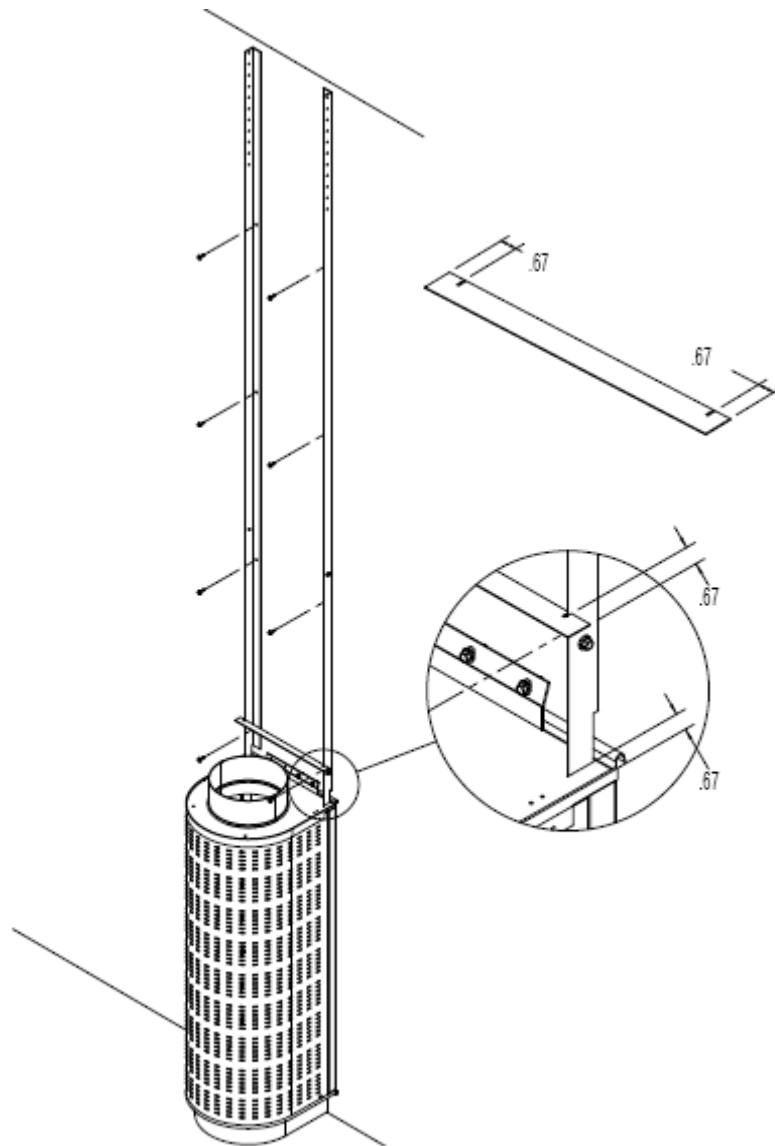
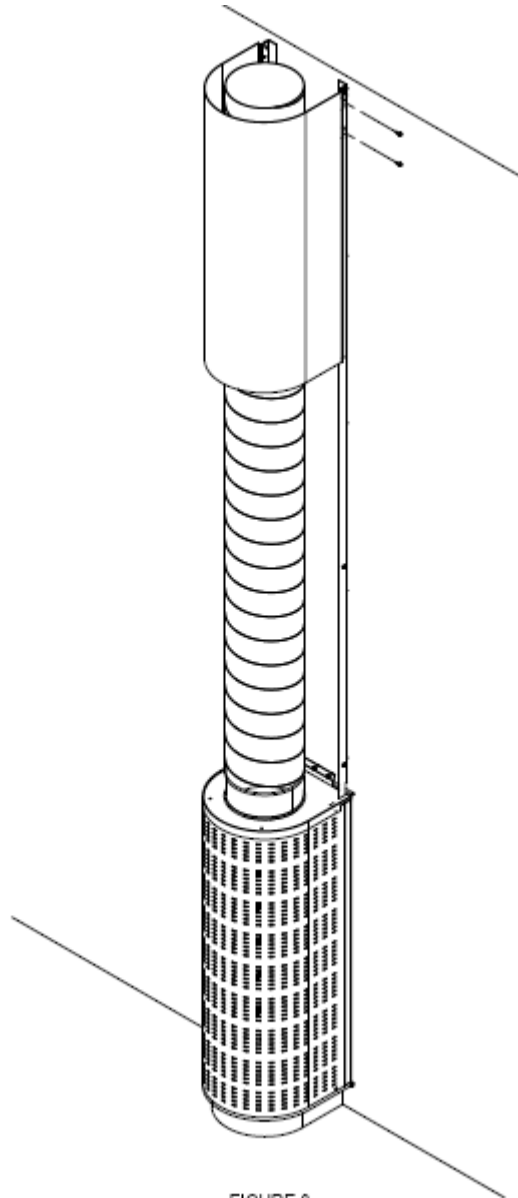


FIGURE 2

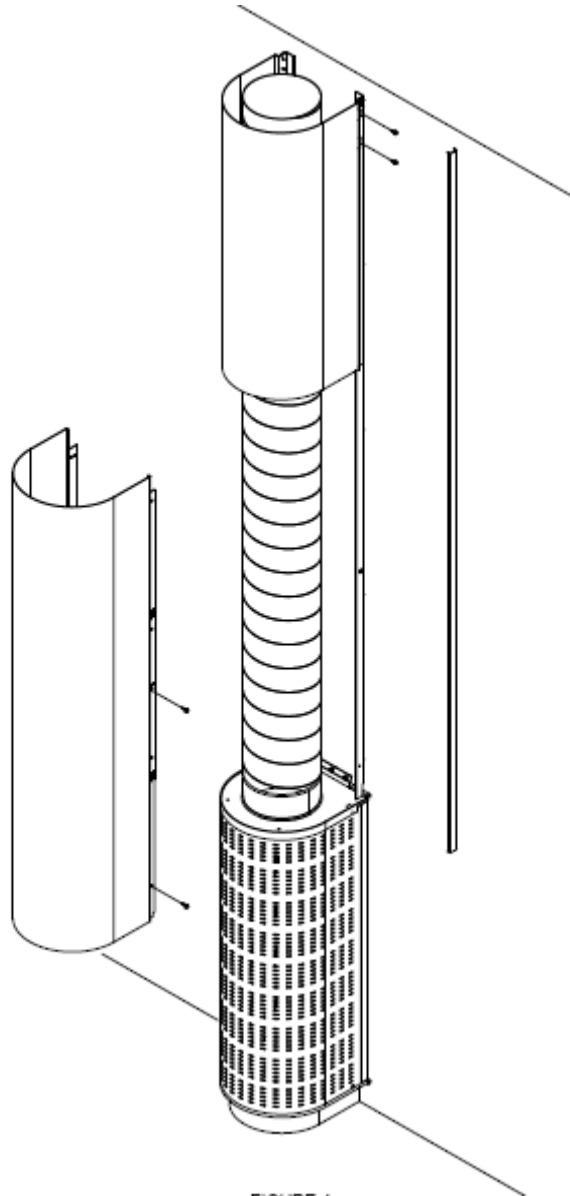
DVHC Duct Cover – Installation

Figure: 3 Install the duct onto the unit. Align the top edge of the brackets with the top face of the extension and install the extension assembly onto the brackets using screws.



DVHC Duct Cover – Installation

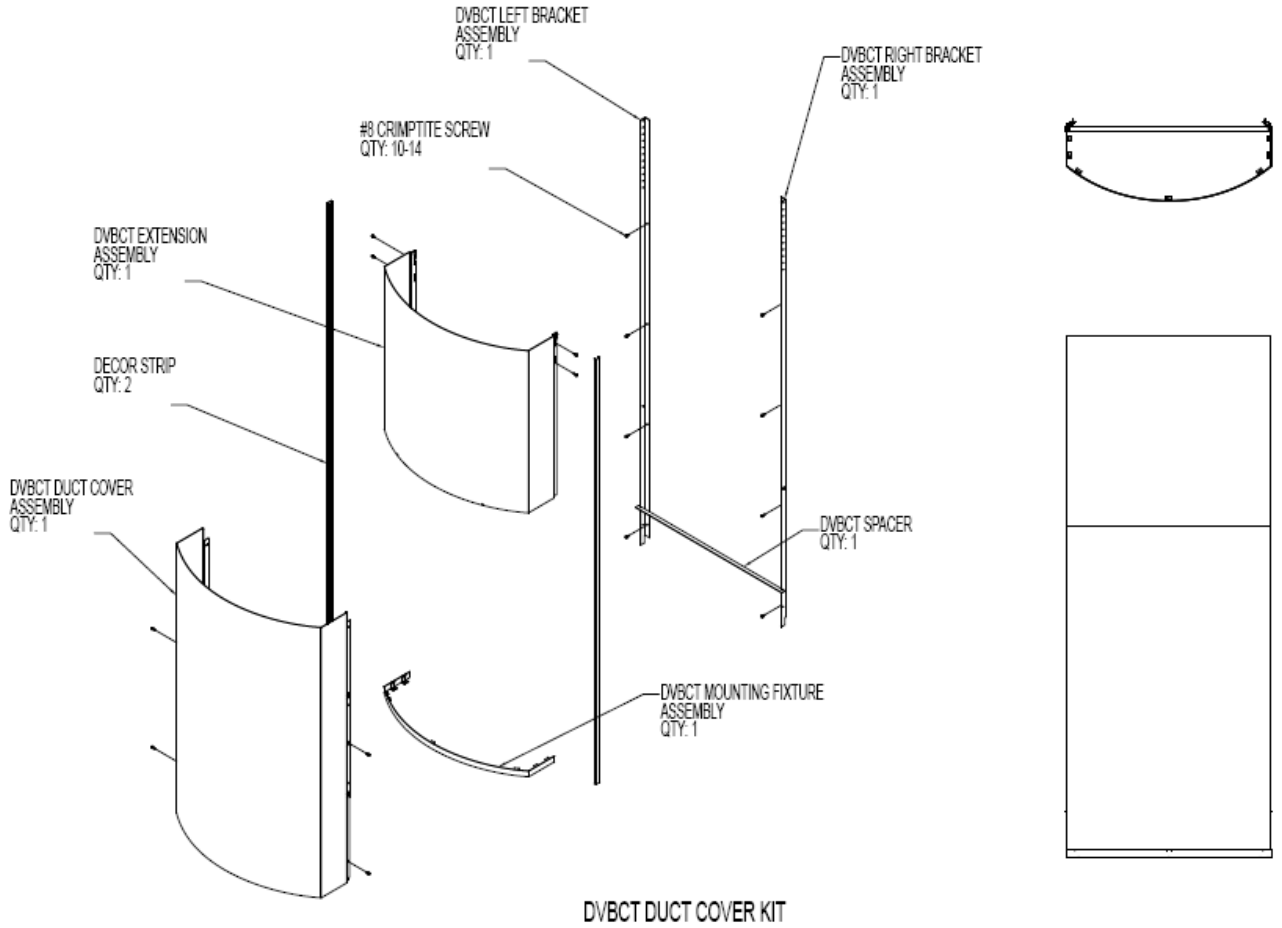
Figure: 4 Place the duct cover assembly on the top of the unit and assemble it to the brackets using screws. Snap the décor strips into the springs of the extension and duct cover assemblies.



Duct Cover (DC) Installation Instructions



DVBC Duct Cover – Parts List (For Size 12-36)



Duct Cover (DC) Installation Instructions



DVBC Duct Cover – Installation

Figure: 1 Cut the brackets according to the ceiling height keeping 0-2” distance between the ceiling and top of the bracket.

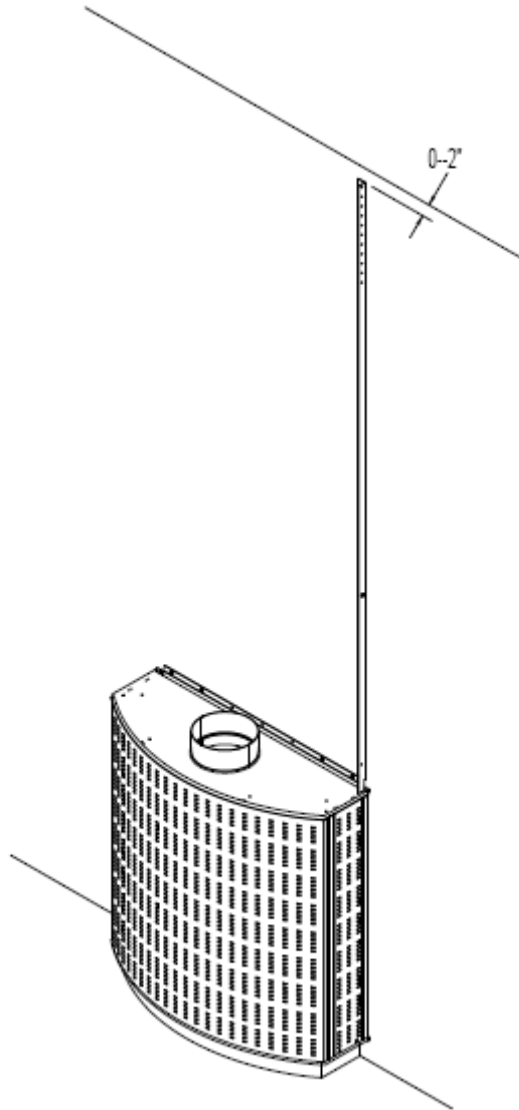


FIGURE 1

DVBC Duct Cover – Installation

Figure: 2 Using spacers align the brackets to the end of the unit keeping 0.67” distance from the end face of the unit. Screw the left and right brackets to the wall.

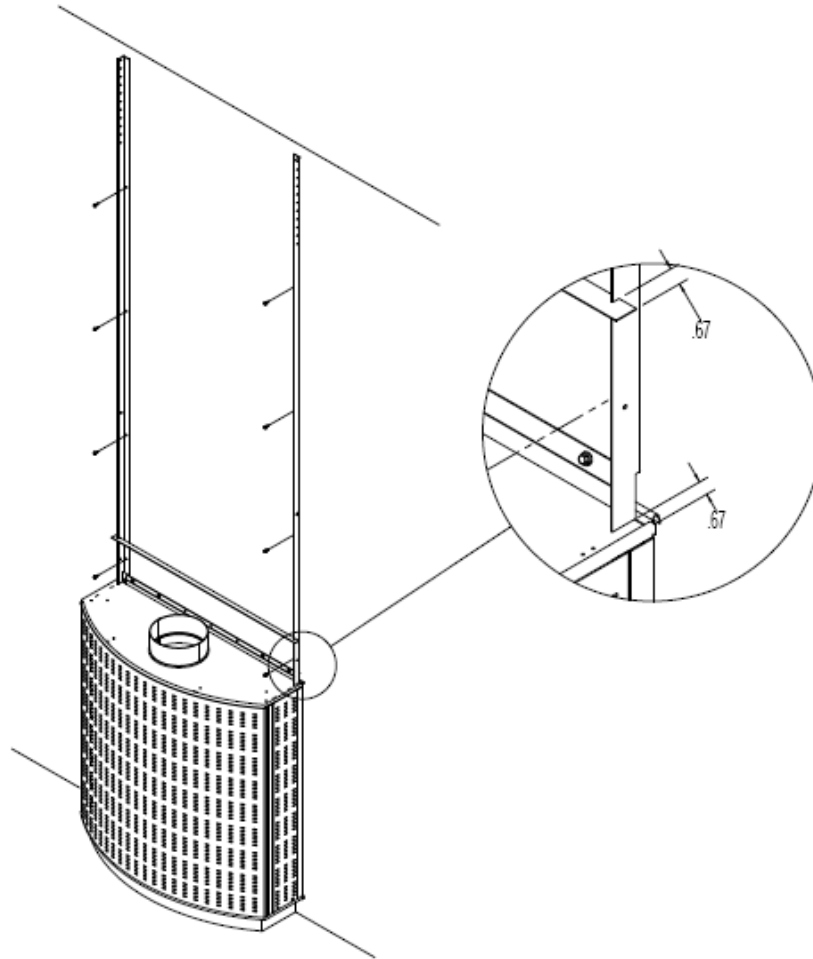


FIGURE 2

DVBC Duct Cover – Installation

Figure: 3 Install the duct onto the unit. Align the top edge of the brackets with the top face of the extension and install the extension assembly onto the brackets using screws.

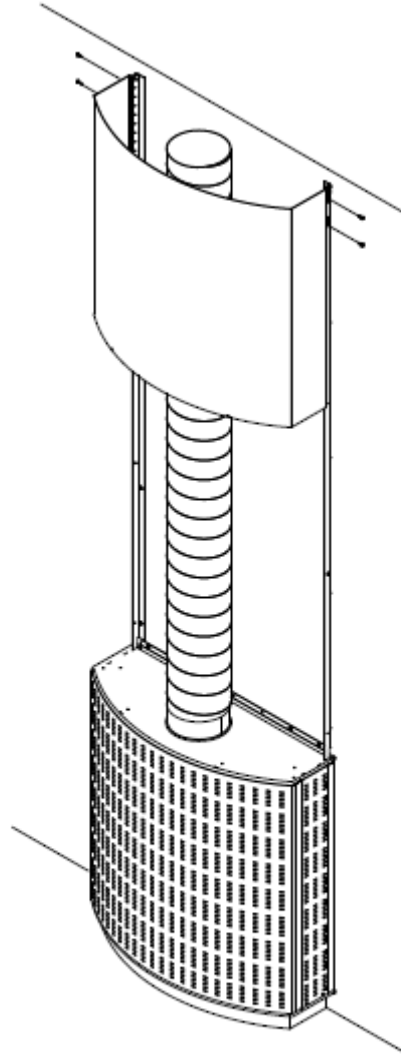


FIGURE 3

DVBC Duct Cover – Installation

Figure: 4 Mount the mounting fixture assembly on the top of the unit.

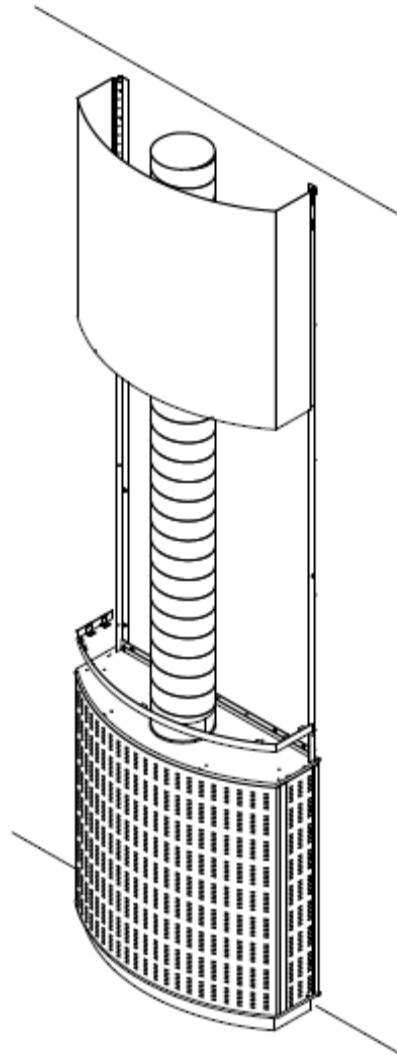


FIGURE 4

DVBC Duct Cover – Installation

Figure: 5 Slide the duct cover in-between the mounting strip and the aluminum strip and assemble it to the brackets using screws. Snap the décor strips into the springs of the extension and duct cover assemblies.

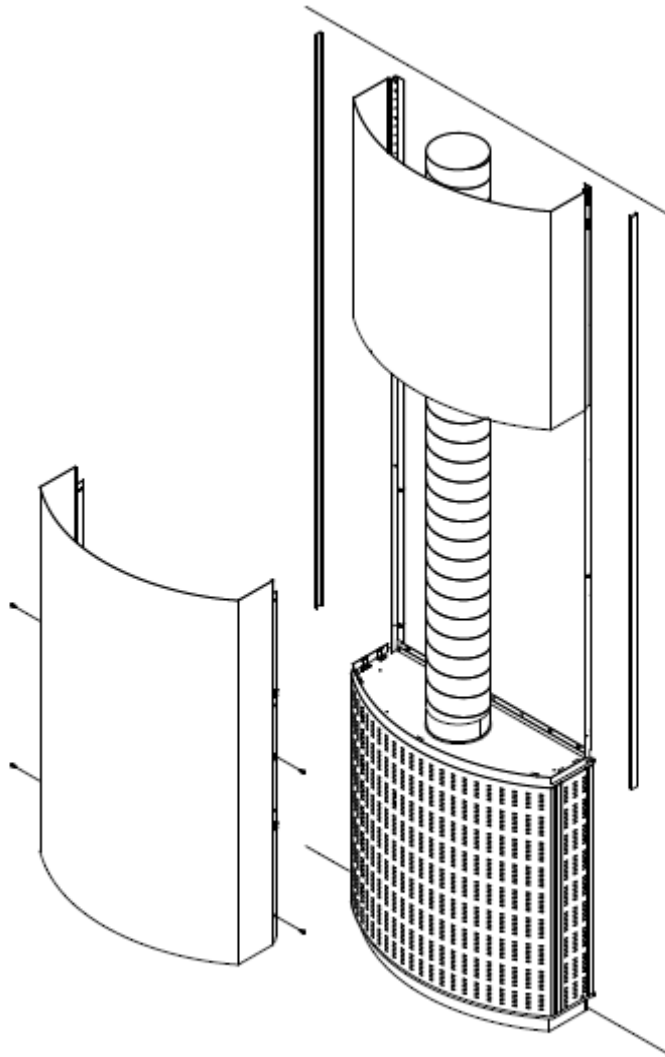


FIGURE 5

DVIRT

Installation

Figure: 1 Slide the duct cover assembly onto the inlet-plenum assembly to hold it in place.